



## VITAMIX XL® VARIABLE SPEED

### Serve More With A Single Blend

Maximize your kitchen's possibilities with the largest capacity, countertop blender. Blend up to 24 (240 mL) servings at once! The XL is engineered to reduce prep-time, improve staff efficiency, and expand your menu capabilities.

### Smart Product Design

- Powerful 4,2 peak output HP motor allows heavy blending from delicate tomatoes to dense meat
- Large 5,6 L container provides extra blending capacity for both hot and cold ingredients
- Low countertop profile and removable lid plug make it easy to add ingredients while blending
- Pulse function and variable speed control increase blending versatility



Blend hot and cold ingredients

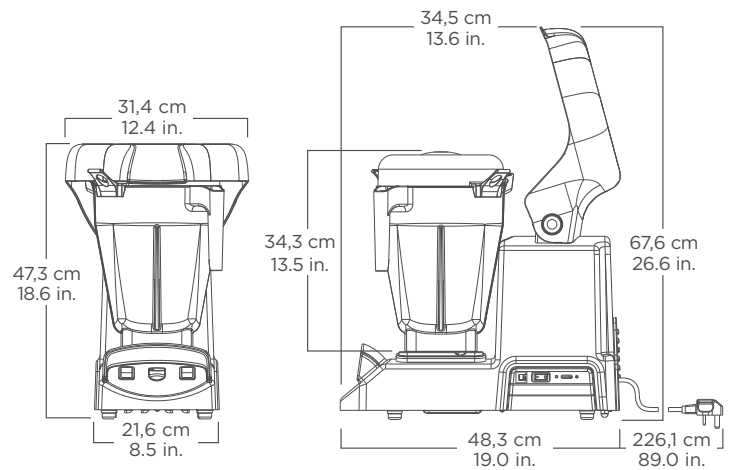
## Product Specifications

### Vitamix XL® Variable Speed: Item No. 10185

Motor: ≈4,2 peak output horsepower motor  
 Electrical: 220 - 240 V, 50 Hz, 7,5 A  
 Pack: Includes Vitamix XL with accelerator tool and 2 containers (5,6 liters and 2,0 liters) complete with blade assembly and lid.

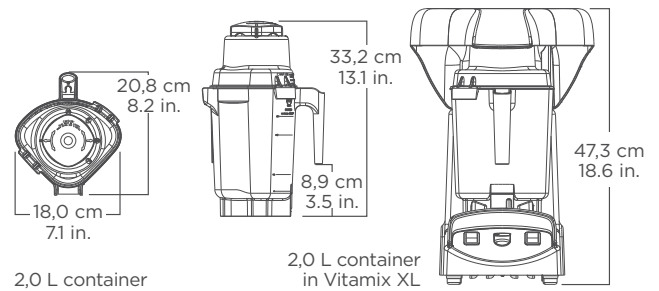
Net Weight: 22,7 kg  
 Dimensions: 47,3 x 21,6 x 48,3 cm (H x W x D)

Warranty: Please contact your authorized Vitamix distributor for warranty information.



## Included

2,0 L container      Accelerator tool



## Also Available

Additional containers, complete with blade assembly and lid.  
 Item No. 15899: Vitamix XL container 5,6 L  
 Item No. 15894: Vitamix XL container 2,0 L

For more information, please contact an authorized Vitamix distributor, or Vitamix international customer service.

## Contact Information

U.S.A., Canada & Latin America: [www.vitamix.com/foodservice](http://www.vitamix.com/foodservice)

Tel: 800.4DRINK4 or 440.235.0214

E-mail: [foodservice@vitamix.com](mailto:foodservice@vitamix.com)

Vita-Mix Corporation  
 8615 Usher Road  
 Cleveland, OH 44138-2103 U.S.A.

Outside of U.S.A., Canada & Latin America:

Tel: +1.440.782.2450

E-mail: [international@vitamix.com](mailto:international@vitamix.com)

For more information, contact your local foodservice distributor.